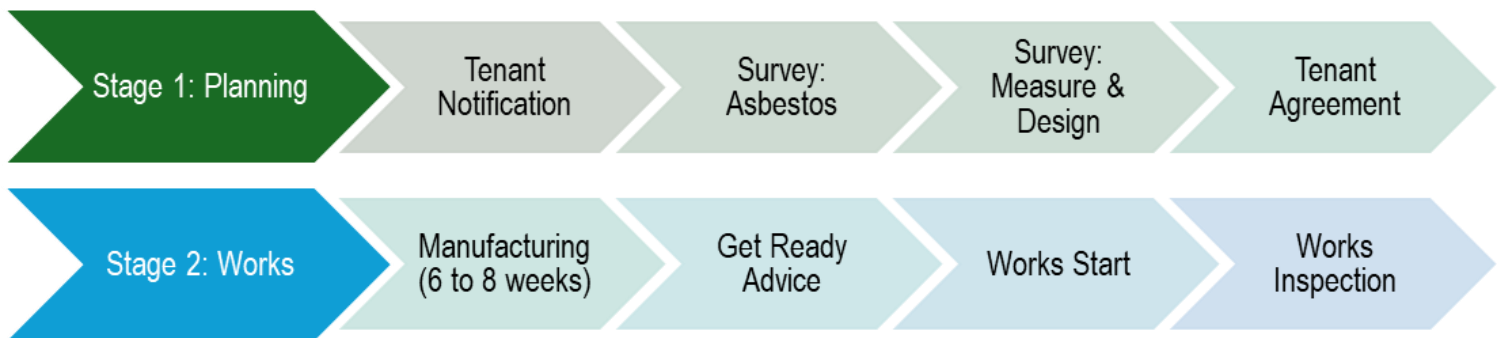


# Investment In Your Home

## KITCHENS / BATHROOMS

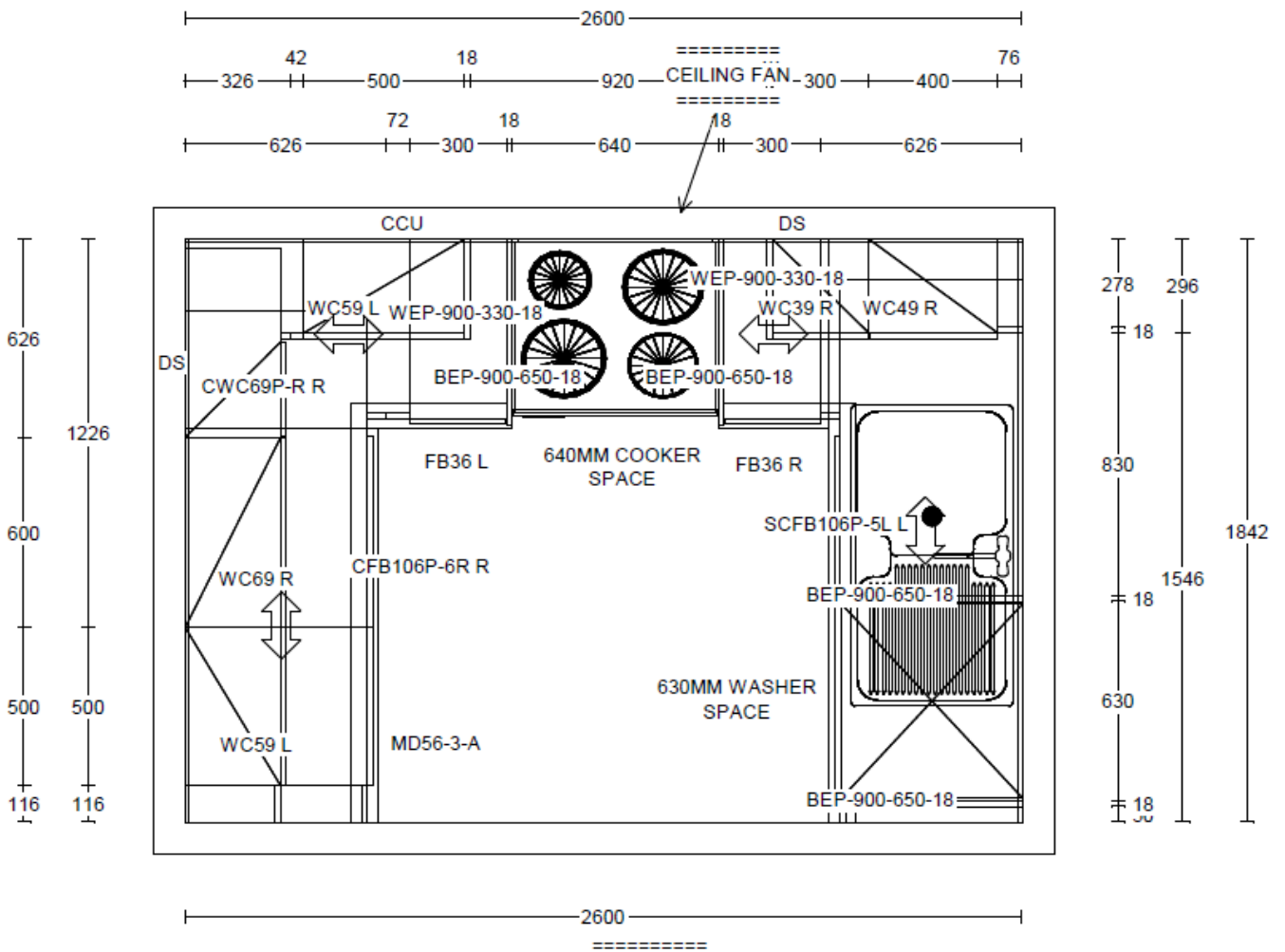
The following information summarises out what you can expect when we carry out works in your home.



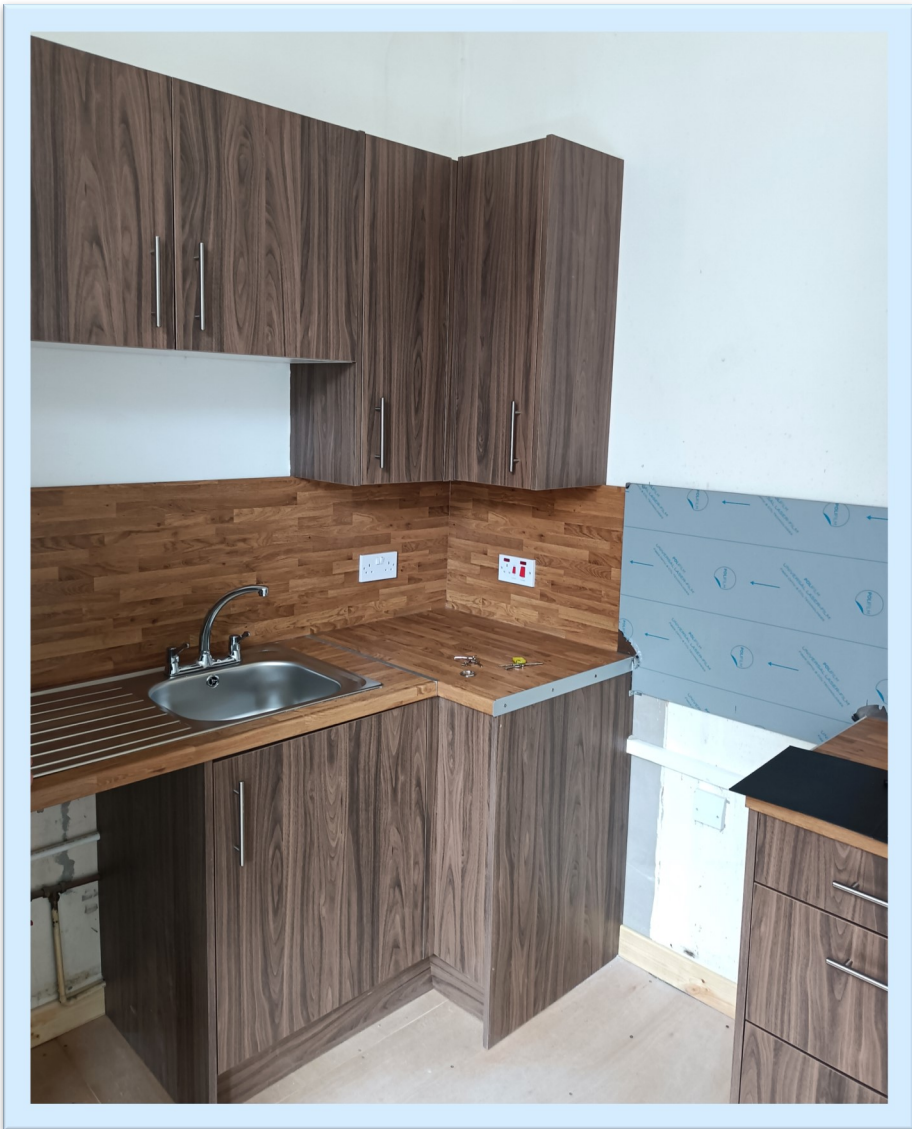
### Kitchen Sample Choices:

DOORS (D - DOOR COLOUR, C - CARCASE COLOUR)					
PORCELAIN WHITE WHITE	DOVE GREY WHITE	STONE GREY WHITE	LAKELAND ACACIA WHITE	NATURAL OAK WHITE	NATURAL WALNUT WHITE
WORKTOPS					
TURKISH MARBLE	GRANITE	FANTASY GRANITE	COLMAR OAK	MAGAS OAK	EVEREST
HANDLES					
HLE 50	HLE 62	HLE 63	HLE 68	HLE 76	

- The appointed contractor will have a Tenant Liaison Officer who will support you through the process.
- You will be given the opportunity to select from a range of kitchen surface / unit / handle options
- You will be given notice to allow you to make arrangements for access and to get ready for the works.
- The works be completed in line with our Services Code of Conduct, and inspected once complete to ensure it meets the standards expected.
- You will get the opportunity to provide your feedback on the process and your experience.



93% Overall  
Tenant Satisfaction



5-Year Rolling  
Programme





"It gives me faith that there is still some good workmanship out there."



# Everwarm

Part of the Sureserve Group

